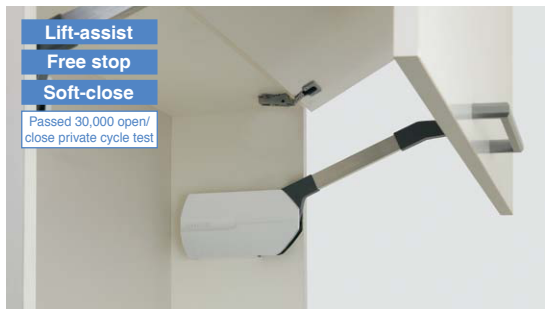


BI-FOLD LIFT-ASSIST STAY GS-HBF-ELAN



Opening Direction	Description	Door Width	Door Height	Door Weight
Bi-folding	Lift-assist Free stop Soft-close	Max. 1200	320~370	2.5~6.5 kg

Values above are for 1 bi-fold door.

- Patented Lapcon mechanism controls door opening and closing softly and smoothly.
 - Door can be opened with a slight force (see Fig. 1).
 - Door can be stopped in any position in the range of about 50° to fully opened position (see Fig.2).
 - Door closes slowly in the range of about 0° to 40° even if you release your hands from the door (see Fig.3).
- Opening angle can be easily adjusted according to hinge used (see Fig.4).
- Quick installation due to innovative vertical adjustment function of mounting plate (see Fig.5~7).
- Easy installation by using supplied template.

[3 Functions in 1 Stay]

● **Lift-assist**
Door can be opened with a slight force.

● **Free stop**
Door can be stopped in any position in the range of about 50° to fully opened position.

● **Soft-close**
Door closes slowly in the range of about 0° to 40° even if you release your hands from the door.

[Specifications]

- Operating temperature: 0°C~40°C

[Remarks]

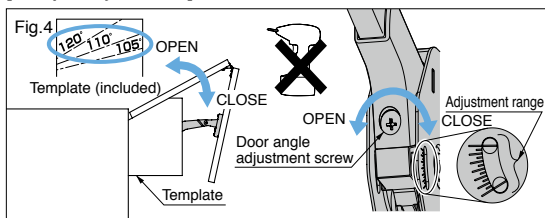
- Be sure to read the "Cautions"
- Never push down the arm of single stay before installation.
- Do not open the door further in fully opened position.
- Do not roughly open and close the door.
- Hinges not included. Customer should provide concealed hinges (without catch) or single knuckle hinges.
- Specified range of movement and door weight slightly vary depending on the type of hinge used (concealed hinge or piano/butt hinge). Confirm with actual item before use.
- Two centre hinges connecting the upper door and the lower door are included.
- For easy door opening, recommended to install the handle above the centre of the lower door mounting plate.
- Use in pairs.



[Parts Included]

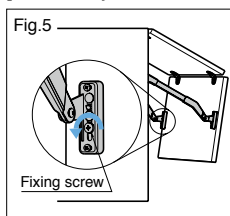
- Mounting plate
- Centre hinge
- Paper template
- Countersunk head tapping screw 3.5x 38 (for main body)
- Binding head tapping screw 3.5x 15 (for centre hinge)
- Binding head tapping screw 3.5x 27 (for mounting plate)
- Truss head screw M4x 5 (for mounting plate)

[Multiple Adjustments]

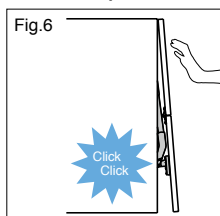


Place the template folded at the opening angle position of hinge against the hinge side of cabinet, and then turn the door angle adjustment screw to match the opening angle with the template.

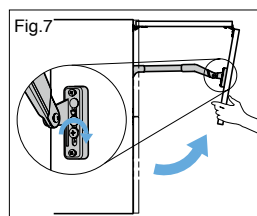
[Vertical Adjustment of Mounting Plate] Quick installation possible



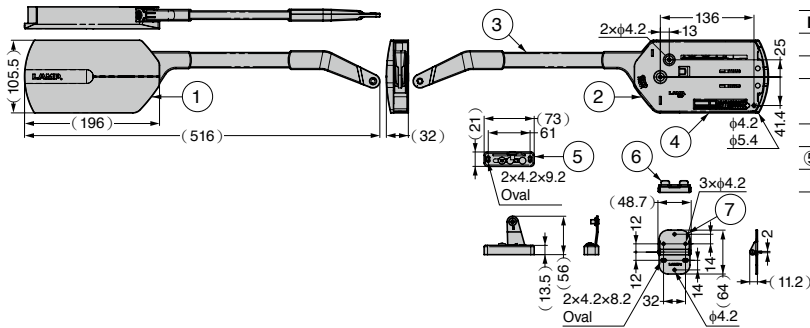
Loosen the fixing screws of the left and right mounting plates.



Press the upper door until the door is closed, then the mounting plates is adjusted to the appropriate position with a click sound.

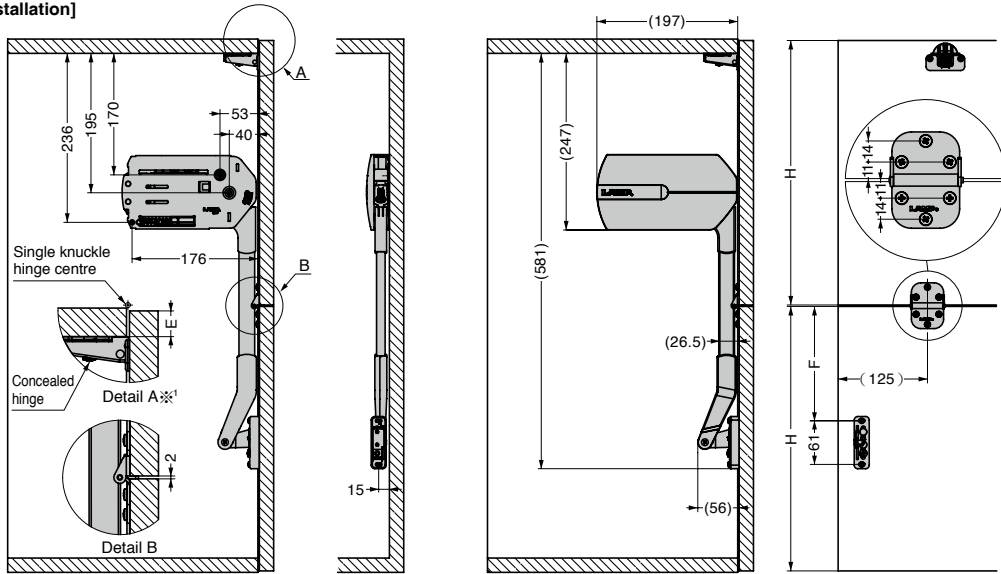


Grasp the lower part of the lower door, slowly open the door, and then tighten the fixing screws of the left and right mounting plates.



No.	Part Name	Material	Finish/Colour
①	Body Cover	ABS	-
②	Body	Steel (SECC)	-
③	Arm	Aluminium Alloy/ABS	Anodised
④	Damper	-	-
⑤⑥	Mounting Plate	Steel (SPCE)	Nickel
⑦	Centre Hinge	Steel (SPCC)	

[Installation]



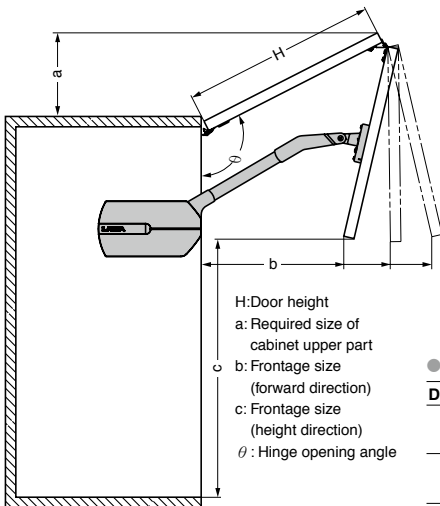
※1 Concealed hinge or piano/butt hinge not included.

$F = 512 + E$ (Overlay) - H (Door height)

[With concealed hinge]

● Hinge opening angle and door position

Opening Angle θ	Door Height H	a	b	c
105°	320	58	364	341
	350	65	348	373
	370	69	314	399
110°	320	85	364	369
	350	93	344	402
	370	99	303	431
120°	320	134	359	424
	350	148	330	459
	370	157	270	492



H: Door height
a: Required size of cabinet upper part
b: Frontage size (forward direction)
c: Frontage size (height direction)
 θ : Hinge opening angle

● Qty of Concealed Hinges

Door Weight kg	Door Width	Qty
2.5~5.5	~900	2 pcs
	900~1200	
5.6~6.5	~900	3 pcs
	900~1200	

[With single knuckle hinge]

● Hinge opening angle and door position

Opening Angle θ	Door Height H	a	b	c
120°	320	167	351	452
	350	181	313	490
110°	370	131	289	461

※When using single knuckle hinge, use the template (included) and adjust so that the opening angle θ of the hinge becomes 120° or less (see Fig. 4).

[Body]1 pair Values below are for 1 door (bi-fold door). 2 doors are necessary for 1 cabinet.

Item Name	Material	Finish/Colour	Door Width	Door Height※2	Door Weight kg※3	Weight (g)
GS-HBF-ELAN-LL	Aluminium Alloy/ABS	Anodised/ Light Grey	Max. 1200	320~370	2.5~3.3	2245
GS-HBF-ELAN-ML					3.3~4.1	2316
GS-HBF-ELAN-MM					4.1~4.9	2387
GS-HBF-ELAN-HM					4.9~5.7	2431
GS-HBF-ELAN-HH					5.7~6.5	2475

For supplied centre hinge (2 pcs), use 2 pcs regardless of door width.

※2 Cabinet inside height is Min. 600mm. ※3 Door weight includes handle.